

ELAN

THE STORY

In 1962 the Elan made history. Lotus rewrote the book on sports car design. Lotus created a car for the age, a leader for a generation. A car which, in handling and performance, took a quantum leap.

In 1986 Lotus took the decision once again to design a compact, open two-seater sports car, one that would set new standards for the 1990's.

In establishing the design philosophy, again Lotus rewrote the rule books.

For the 1990's the challenge is more complex. Sporting saloons have built on the advances made by Lotus and others, and reached high levels of performance, grip and cornering power. A new generation of drivers has grown up with front wheel drive as their main experience. People now expect much higher levels of creature comfort, space and practicality, which can no longer be compromised for performance or driving pleasure.

To take a new quantum leap in this environment was the challenge for Lotus.

The Elan was reborn, a stunningly proportioned, agile two-seater sports car - high performance coupled with exceptional handling balance.

A world beater for the 1990's.

The following pages examine the Lotus engineers' response to this challenge, the challenge of creating new standards in handling, performance and style.



Handling performance and style.

DESIGN OBJECTIVES - Body and Styling

The designers wanted a two seater sports car which showed strong Lotus characteristics, and which communicated its mechanical integrity. Superb aerodynamic stability and low drag co-efficients were critical, but space, comfort and practicality must not be compromised. A car with presence, even beauty, modern in shape and worthy of the name ELAN.

SOLUTION

Styling is not an end in itself. At Lotus, we say 'Form follows function'. Take a long, critical look at the Elan, and you will start to realise how radical it is. You'll notice an almost total absence of decoration, of overhangs, of wasted space. And yet the overall design has poise, presence and style. Sit in the driver's seat and you will be surprised how spacious the interior is, particularly in view of the compact body dimensions.

Drive the car and you will feel how stable the Elan is under all conditions, and how free of buffeting with the top down, even at high speed.

Body structure:

2 seater sports convertible body. Multi-piece bonded, riveted and bolted composite structure, employing aluminium, steel and advanced composites. One piece VARI (Lotus patent) floorpan moulding. Welded steel reinforcing outrigger assemblies with corrosion protection applied to steel components.

Body/Chassis assembly:

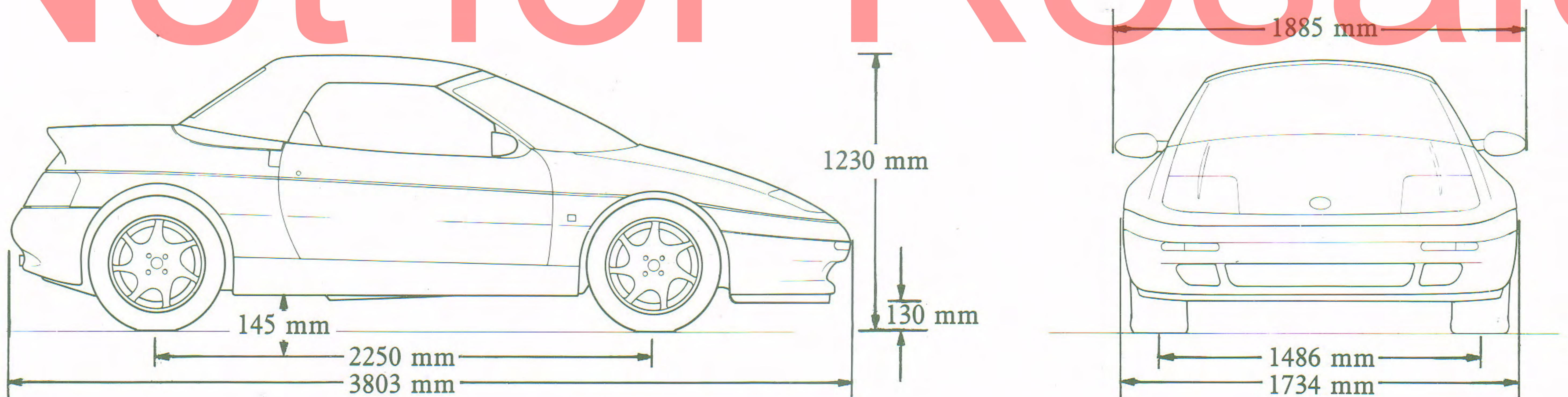
Steel cross-brace assemblies bolted between 'A' and 'B' posts. Bonded composite body shell assembly rigidly bolted to chassis frame. Panels forward of bulkhead are bolted onto chassis for ease of assembly and repair.

Soft-Top:

Hood: Manually operated fully folding hood disappears into trimmed compartment behind seats under flush deck stowage cover.

Hood frame: Black epoxy powder-coated steel with spring assistance.

Material: Triple layer black fabric with cotton lining.



Style

Lotus Cars Limited, Hethel, Norwich, Norfolk, England NR14 8EZ. Telephone (0953) 608000. Telefax (0953) 606884. Telex 17401.

LOTUS CARS LIMITED RESERVES THE RIGHT TO ALTER SPECIFICATIONS AND PRICES WITHOUT NOTICE.

DESIGN OBJECTIVES - Powertrain

Ask a Formula 1 designer to explain his objectives and he'll tell you that maximum power is only one element. He must also select an engine which performs as a critical part of an overall concept, with important roles to play in handling characteristics, driveability, aerodynamics, compactness and economy.

That was precisely the aim with the engine for Elan. Of course, outright power was important, but low speed torque and mid-range response were equally desirable. The engine had to be compact, to allow the designers to keep the overall car within exceptionally tight dimensions, and to keep the frontal area low to promote the desired aerodynamics. And, most important, the engine had to exude the character which has always been part of a Lotus.

SOLUTION

The chassis and body designers had already determined a radical frontal treatment which would give excellent drag figures, and this pre-determined that the engine compartment would have limited space available. Front wheel drive had been selected, and therefore the engine would have to be a compact unit, in this case to be mounted transversely. Sixteen valves were required to deliver the sort of power which the chassis demanded, and the latest engine management systems, developed with the Lotus engineers, to ensure docility and economy. Two versions were decided upon - a turbocharged version for the SE, and a normally aspirated engine for the standard car.

Engine:

Type: 4 cylinder in line (turbocharged and intercooled - SE only).
 Capacity: 1588 cc.
 Bore: 80.0mm.
 Stroke: 79.0mm.
 Block: Cast iron.
 Head: 16 valve aluminium alloy, double overhead camshaft.
 Valve Actuation: Belt driven camshafts with direct acting hydraulic tappets.
 Fuel Injection: Electronic multi-point fuel injection.

Elan
 Power (Din 70020) 130 bhp / 97kW @ 7200 rpm
 Torque 105 lb ft / 142Nm @ 4200 rpm

Transmission:

Type: 5 speed transaxle driving the front wheels. Synchromesh on all forward gears.
 Gear Ratios: 1st : 3.333
 2nd : 1.916
 3rd : 1.333
 4th : 1.027
 5th : 0.829
 Reverse : 3.583
 Final Drive Ratio: 4.117 (3.833 - SE)
 Driveshafts: Equal length constant velocity shafts.
 Clutch : Single plate dry disc diaphragm type, 215mm (225mm - SE).
 Non asbestos friction lining.

Elan SE
 Power (Din 70020) 165 bhp / 123kW @ 6600 rpm
 Torque 148 lb ft / 200Nm @ 4200 rpm

Fuel Requirement:

95 RON Premium unleaded or 97 RON leaded (4 star)

Fuel Consumption:

	ELAN		ELAN SE	
	mpg	Litres / 100 km	mpg	Litres / 100 km
Urban Cycle	25.9	10.9	26.2	10.8
56 mph / 90 km/h	40.8	6.9	42.2	6.7
75 mph / 120 km/h	35.2	8.0	31.8	8.9

Performance:

	ELAN	ELAN SE
0 - 60 mph	7.6 secs	6.7 secs
0 - 100 mph	23.2 secs	18.4 secs
Standing ¼ mile/400m	16.1 secs	15.4 secs
0 - 100 km/h	8.2 secs	7.2 secs
0 - 150 km/h	19.1 secs	15.8 secs
Max Speed mph	122 mph	137 mph
Max Speed km/h	196 km/h	220 km/h

Performance

DESIGN OBJECTIVES - Chassis and Suspension

To design a sports car which delivers world beating handling and agility, a compact and practical two seater which must offer the highest levels of refinement, ride, comfort and driveability.

SOLUTION

As any suspension engineer will tell you, a stiff structure is essential if the true potential of a suspension system is to be realised. The Lotus Elan has an immensely rigid structure combining a steel backbone with composite, steel and aluminium elements, giving the strength which allows the suspension, already a Lotus patent, to function so effectively.

Front wheel drive was selected for its inherent stability and ease of control. To complement it, a totally new front suspension system was conceived and designed to ensure upmost driving pleasure for the real enthusiast.

SPECIFICATION

Front Suspension:	Independent by unequal length wishbones. - coaxial coil springs and dampers. - tubular anti-roll bar via drop links from chassis. - longitudinal compliance by Lotus patented, alloy subframes.
Rear Suspension:	Independent by upper link and wide-based lower wishbone. - coaxial coil springs and dampers. - solid anti-roll bar via drop links from chassis.

Brakes:

Front:	Ventilated discs 256mm dia. Single cylinder floating calipers.
Rear:	Solid discs 236mm dia. with integral hubs. Single cylinder floating calipers with integral mechanical parking brake.
Brake Actuation:	Dual circuit tandem master cylinder with direct acting vacuum servo. Diagonal split fluid circuit. In-line rear brake pressure compensating valve for each circuit. Centrally mounted handbrake lever with push-button release, operating on rear wheels via twin cables.

Steering:

Type:	Constant ratio, rack and pinion type with hydraulic power assistance on Elan SE - (optional on Elan.)
Turning Circle:	10.7m (35 feet) nominal between kerbs.
Column:	Height adjustable.
Steering Wheel:	Unique Lotus 3 spoke design (leather rim on SE) with soft-feel centre pad and Lotus badge in centre.

Wheels and Tyres:

Standard Road Wheel:	Lotus design 6½ x 15 cast aluminium alloy.
Tyres:	
Elan:	205/50 VR 15. Michelin MXV2
Elan SE:	205/50 ZR 15. Michelin MXX2
Spare Wheel:	Compact space-saver: 3.5 J x 14 (for temporary use only.)

Chassis:

Steel fabrication with full corrosion protection by zinc coating, chip resistant polyurethane coating and wax injection into closed box sections.

Backbone chassis extends rearwards from front bulkhead, and incorporates rear suspension pick-up points, bolting rigidly to bodyshell structure.

Front longeron/underframe assembly bolts onto front of backbone frame, incorporating front suspension pick-up points, engine mountings and front energy absorbing structure. Complete subframe assembly, including powertrain, is detachable.

Handling

ELAN MODEL RANGE

Standard Equipment - Elan and Elan SE:

Alloy wheels, low profile tyres, electric windows, electrically adjustable heated door mirrors, central door locking, laminated windscreen, bronze tinted glass, leather and cloth seat trim, Blaupunkt radio cassette player, adjustable steering column, clock.

Standard Equipment - Elan SE only:

165 bhp turbocharged and intercooled engine, turbocharger boost gauge, power assisted steering, 205/50 ZR 15 tyres, digital clock, body colour door mirrors, leather covered steering wheel trim, SE badging.

	EX FACTORY PRICE	CAR TAX	RRP (Inc. Taxes)
ELAN	14272.87	1248.87	17850.00
ELAN SE	15933.10	1327.77	19850.00

OPTIONS

Air Conditioning (SE only)	786.62	65.55	980.00
Leather Seat Facings and Door Inserts (SE only)	626.09	52.17	780.00
Metallic Paint	497.66	41.47	620.00
Blaupunkt Premium Sound System with RDS	280.94	23.41	350.00
Power Assisted Steering (standard on SE)	465.55	38.80	580.00
Carpets Colour Keyed to Leather Trim option	160.53	13.38	200.00

COLOUR AND TRIM COMBINATIONS

Body:

Trim:

	Leather and Plaid cloth	Grey leather yellow stripe	Grey leather, red stripe
British Racing Green	Standard	Optional	-
Calypso Red	Standard	-	Optional
Monaco White	Standard	Optional	Optional
Pacific Blue metallic	Standard	-	Optional
Silver Frost metallic	Standard	Optional	Optional
Steel Blue metallic	Standard	-	Optional

NB. The standard carpet colour is grey. Colour keyed carpet in red or yellow is available with leather trim as outlined above.



LOTUS COLOUR SELECTION



Calypso Red



Pacific Blue



Norfolk Mustard



Medina



Monaco White



Aqua Blue



British Racing Green



Palacio



Black



Silk Red